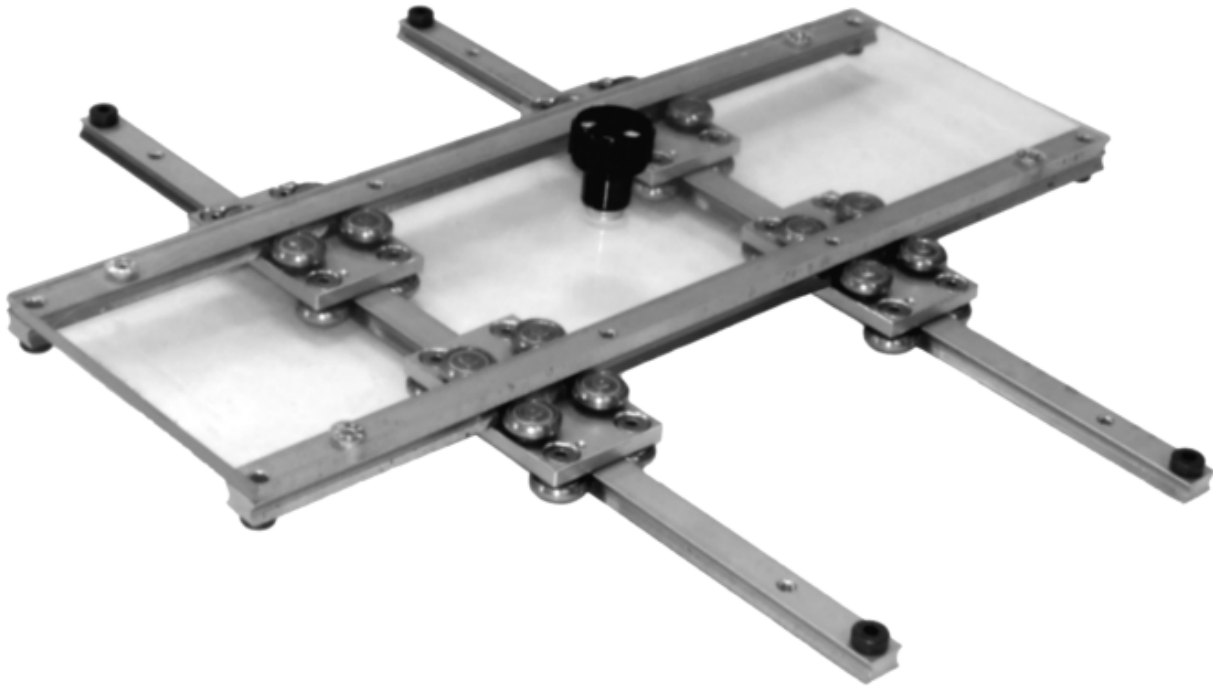




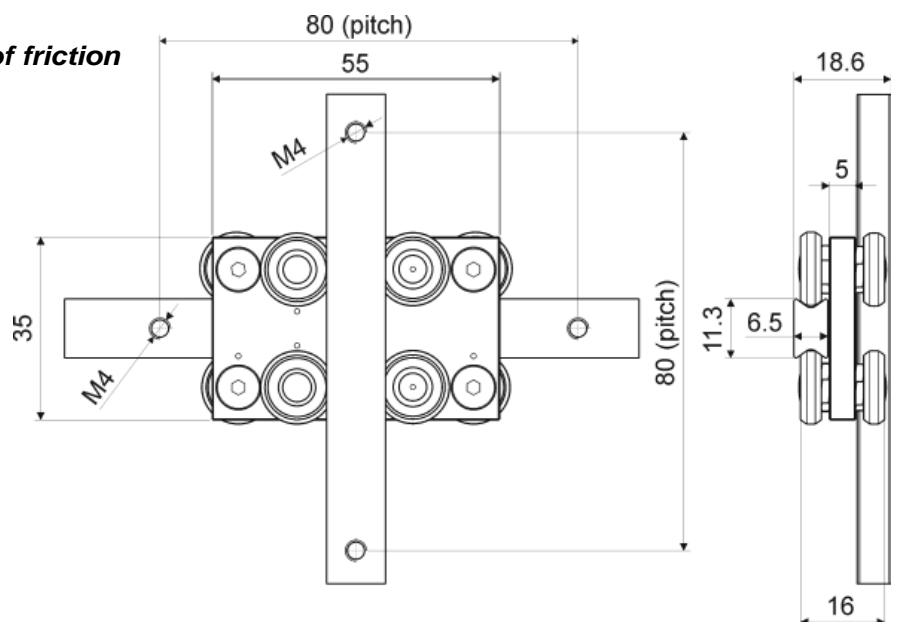
X-Y Axis



ROLLON expands the range of products of the **COMPACT RAIL** family, offering to customers the new orthogonal table X-Y. Using this type of linear system in an application with axis (X-Y) or “cantilever”, the structure becomes much more compact and easy to implement, as there’s no need to mount further additional intermediate plates.

The following are some of the many advantages that the product offers:

- **Extremely compact (18.6 mm)**
- **Hardened and grinded raceways**
- **High speed and low coefficient of friction**
- **Silent operation level**
- **“Ready to install” product**
- **“Customized” product**



APPLICATION FIELDS

- Packing machines
- Cutting machines
- Medical equipment
- Automation industry
- Medical equipment

NOTE: for more information please, consult our application engineering / sales department